

Mask & Lane Products

ZOT PermaDeck Back-End Lane Products

ZOT Pinsetter Parts is pleased to introduce a new line of back end lane products including flat gutters, kickback plates, edge boards and tail plank tops. All of these products are made from industrially engineered HDPE (High Density Polyethylene) As the name would imply, HDPE is durable, requires no maintenance, and it never needs recoating with finish. To maintain quality and durability none of ZOT's HDPE products use recycled materials. ZOT's back end lane products are also ABC approved.

- ZOT's Kick Back Plates are undrilled enabling the installer to drill holes and screw the kick back plates into kick back surfaces where there are no old or enlarged holes, ensuring a secure installation

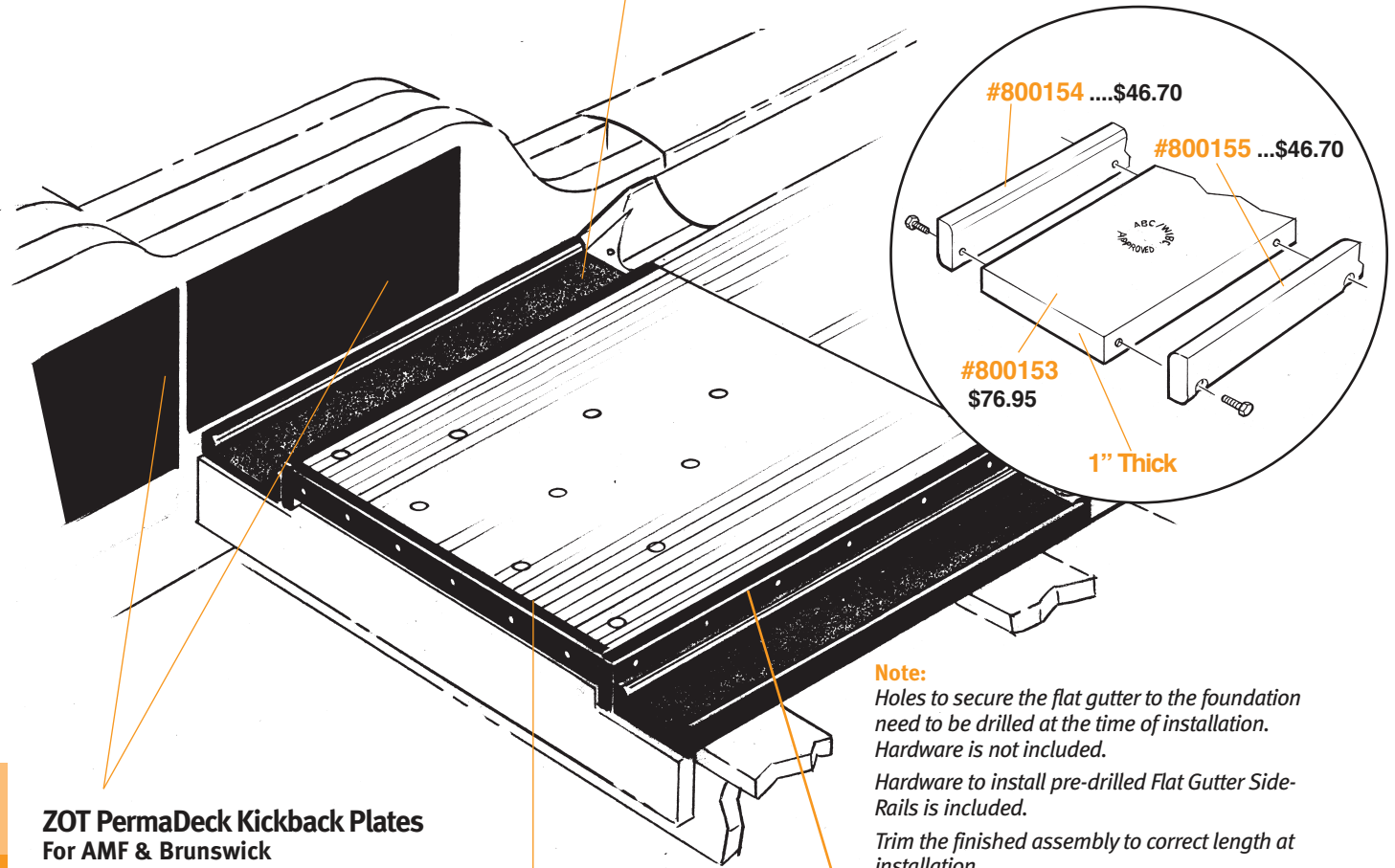
Heavy Duty PermaDeck Flat Gutter Kit

For AMF & Brunswick

#420479 (for one lane)\$199.70

Check out these features:

- Costs less than comparable products.
- Virtually maintenance free and durable.
- Made of 1" thick "Warp Resistant" HDPE for maximum strength and life. **Note:** less expensive brands use 3/4" plastic which tends to warp and has a much shorter lifespan.
- **Easy to install:** either by the center mechanic or a lane resurfer.



Note:

Holes to secure the flat gutter to the foundation need to be drilled at the time of installation. Hardware is not included.

Hardware to install pre-drilled Flat Gutter Side-Rails is included.

Trim the finished assembly to correct length at installation.

12 Mask & Lane Products

ZOT PermaDeck Kickback Plates For AMF & Brunswick (Black & Undrilled)

#420482\$41.50

15" x 33" fits all AMF and early model Brunswick

#420483\$39.50

19" x 23 3/4" for early model Brunswick

#420484\$48.90

16" x 40" for late Brunswick

Check out these features:

- Highly durable.
- Restore your kickbacks to ABC Specifications.
- Improves scorability and reduces pin damage.
- Easy to install.

ZOT PermaDeck Tail Plank Tops Fits AMF & Brunswick Wood Pindecks

#420481\$39.90

1 3/4" x 1 1/2" x 43" (per lane)

#420511\$41.90

Fits Brunswick & Synthetic/HPL Pindecks

1/2" x 2 3/8" x 41 7/8"

Check out these features:

- Restores your tailplanks to ABC Specifications.
- Improves scorability.
- Extend the life of your pins.

Call for quotation for sizes not listed.

ZOT PermaDeck Edge Boards Fits AMF & Brunswick Wood Pindecks

#420480\$41.50

1" x 2 1/2" x 46" (each)

#420510\$41.50

Fits Brunswick & Synthetic/HPL Pindecks

1/2" x 2 3/8" x 47 5/8"

Check out these features:

- Restores your wooden pindecks to ABC Specifications.
- Helps improve scorability.
- Extends the life of your pins.

Call for quotation for sizes not listed.

ZOT GlowRod Fascia and Quarter Round Trim for Approaches

ZOT's GlowRod Fascia and Quarter Round Trim products are designed to improve the appearance and highlight the riser or step from the bowlers settee area to the approach. The GlowRod Fascia and Quarter Round Trim (shown in the illustration below)

clearly highlights the riser in either a Glow or Non-Glow Bowling environment which, in addition to enhancing the image of your center, brings safety to the equation too — especially during Glow-Bowling activities.

GlowRod Fascia & Quarter Round Trim

Check these features:

Improved Safety: The GlowRod Fascia illuminates in an Ultra Violet (Glow Bowling) lighting environment, clearly highlighting the riser or step-up to the approach. The UV additive in the rod will Glow under Ultra Violet Light with no additional power necessary.

Durable: Made of virtually indestructible industrially engineered HDPE (High Density Polyethylene) that will outlive the life of your approaches.

Maintenance Free: ZOT's GlowRod Fascia and Quarter Round Trim never needs painting, and will look good for 10-15 years without cracking or splitting.

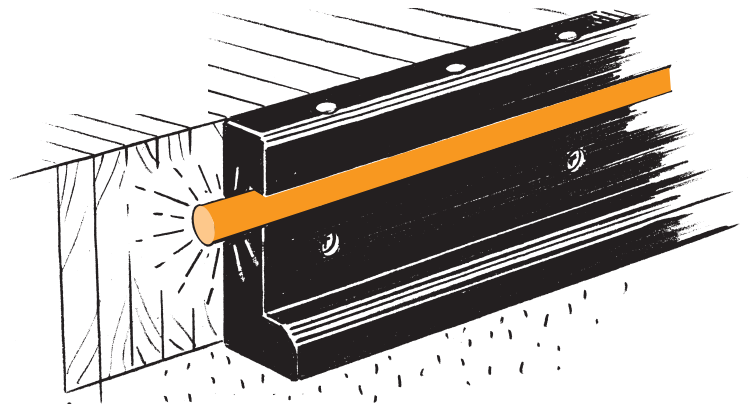
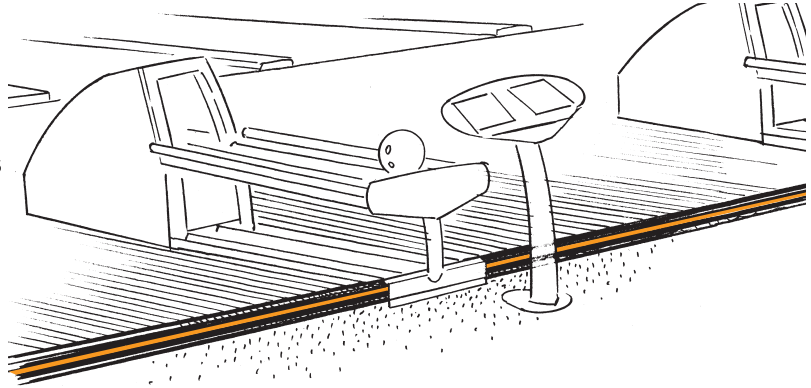
Cost Effective: Costs about the same as replacing the original, and less durable, worn and damaged maple fascia.

Note: ZOT's GlowRod is sold by the foot and separately from the Fascia. See below for color selection and part numbers, etc.

How it all works: You start by measuring the height of the riser (step) from the settee area to the the approach, and then the length of the fascia needed to extend across the width of the approaches.

Note: Fascia and Quarter Round Trim (with or without GlowRod) is a custom product that's "Made-to-Order".

Once you have the specifications and place an order with ZOT it will take a few weeks to process (custom build) and ship the finished product.



Here are three options:

Option 1

ZOT's HDPE Fascia and Quarter Round Trim is designed to be used as a replacement for the original wood fascia.

Option 2

HDPE Fascia and Quarter Round Trim is also available with a groove to accommodate the installation of a Glow Rod, which is an optional add-on.

Option 3

Glow Dowels can also be added to either Option 1 or 2.

Part #	Description	*Price Per Foot
Fascia With & Without Quarter Round Trim (Order Glow Rod and Glow Dowels Separately)		
800137	1" NO/Quarter Round Trim –NO GLOW	\$2.72
800138	1.5" NO/Quarter Round Trim – NO GLOW	3.80
800139	2" W/ Quarter Round Trim	7.63
800140	2.5" W/ Quarter Round Trim	8.82
800141	3" W/ Quarter Round Trim	9.67
800142	3.5" W/ Quarter Round Trim	10.85
800143	4" W/ Quarter Round Trim	11.95
800144	4.5" W/ Quarter Round Trim	13.88
800145	5" W/ Quarter Round Trim	14.31
800146	5.5" W/ Quarter Round Trim	15.40
800147	6" W/ Quarter Round Trim	16.73
800148	6.5" W/ Quarter Round Trim	18.04
800149	7" W/ Quarter Round Trim	19.30
800150	7.5" W/ Quarter Round Trim	20.59

Part #	Description	*Price Per Foot
Quarter Round Trim, GlowRod & Glow Dowels		
800151	Quarter Round Trim	2.88
GLOW ROD for installing in Fascia (add to per foot price of fascia)		
420493	Glow Rod — Yellow/Green	11.14
420494	Glow Rod — Green	11.14
420495	Glow Rod — Red	11.14
420496	Glow Rod — Orange	11.14
GLOW DOWELS for installing in Fascia		
420501	Glow Dowels — Four Dowels per foot	13.99

* Products priced by the foot must be purchased in five (5) foot lengths

- Glow Dowels are factory installed in the Fascia
- All orders for Fascia include Mounting Screws Fascia, Quarter Round Trim and GlowRod are shipped in 5-foot lengths and can therefore be shipped by UPS



Call ZOT at 1-800-525-8116 for more details

Mask & Lane Products

Mask Light Bulb Replacement

“Replace incandescent bulbs with LED’s”

#400265 Red LED (12-Volts) for centers with AMF Pinpotters: **\$13.90 each**

#400261 Red LED (24-Volts) for centers with Brunswick Pinsetters: **\$13.90 each**

ZOT has made improvements to the LED replacements for incandescent light bulbs on Mask units. The new LED’s are RED (when lit), which yields a “greater degree of brightness” in typical bowling center lighting.

The Effective Life of the product is 100 times longer than the bulbs they replace. That’s a life expectancy of 100,000 hours of run time.

Power Saving: LED’s use less than 1/10th of the power used with incandescent bulbs.

They are easy to install: Simply push and turn, just like the old bulb.

**“Improved”
Increased Brightness Level**

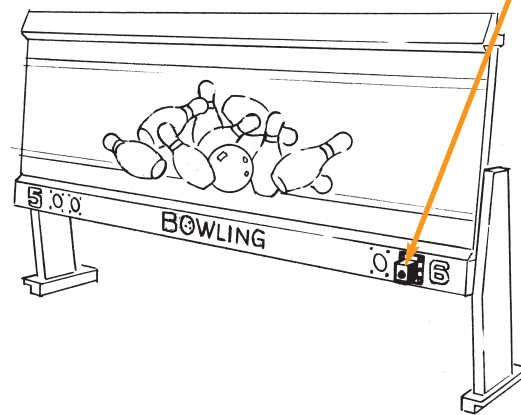
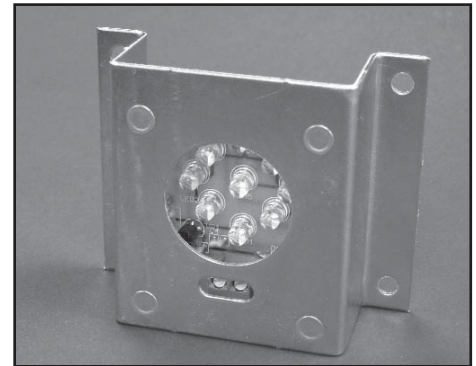


Mask Light Conversion Kit

#400262\$22.95



- **Stop Constant Replacement:** of older technology incandescent lamps. # 90, #94, #624, #1692 and #68 lamps are rated to last 750 hours. LED Technology will run for 100-thousand hours — that’s a life expectancy that’s more than 100-times longer
- **Discard Aging and Worn Sockets:** remove problem sockets, obsolete worn contacts and aging wires.
- **Simple Mounting:** easy drill & screw LED & Lens system to the front of the mask unit.
- **Saves Power:** The LED Light uses less than 1/10th of the power (current) than the old #90 incandescent lamp.
- **Optional Wire Replacement:** easy screw/ wire connection at the LED PC Board enables you to connect with a 6” jump-wire, or you can replace the complete run using your own wire.



12

Mask &
Lane Products

ZOT Pinsetter Parts, Inc., Warranty

1. ZOT Pinsetter Parts, Inc., Warrants Products to be free from defects in material and workmanship under normal conditions of use and service. The obligation of ZOT Pinsetter Parts, Inc., Under this warranty, being limited to making good, at the factory, any part manufactured by ZOT Pinsetter Parts, Inc., which shall within one (1) year after delivery to the original purchaser be returned to the factory of ZOT Pinsetter Parts, Inc., with transportation charges paid.
2. Except as herein above provided, there is no warrant, express, or implied, and none shall be implied by law, and ZOT Pinsetter Parts, Inc., expressly denies on the part of any person or entity to incur or assume, for ZOT Pinsetter Parts, Inc., any other liability in connection with the sale of any ZOT products.