

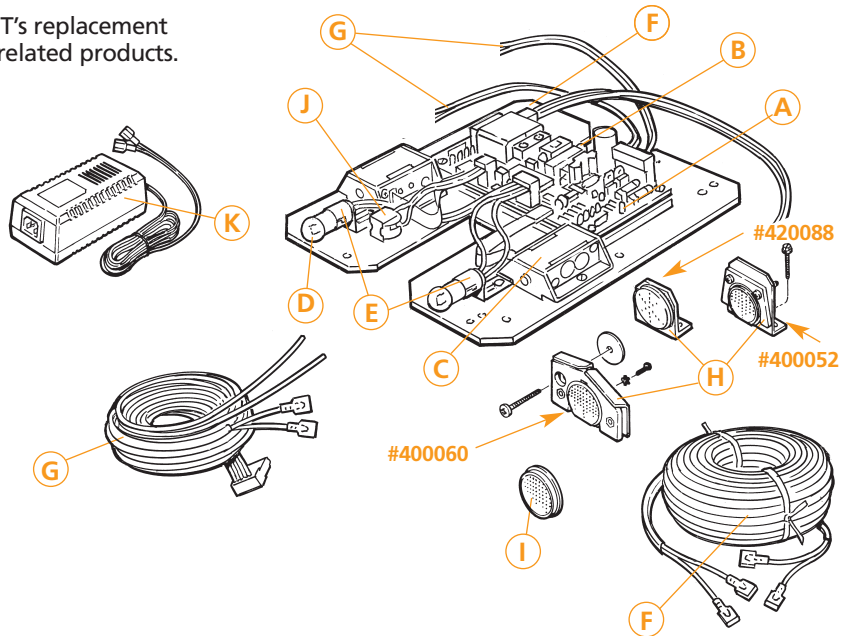
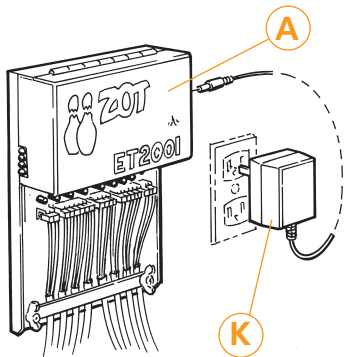
Spare Parts

ZOT's Foul Detector, Scoring and Electronic Triggering related products are Unique in the industry because they are modular by design, enabling the mechanic to replace the various components — right there in the bowling center.

Wizard and Conversion (Spare Components)

Item	NEW Kit Number	Kit Description	A P.C. Board	B Fuse	C Sensor Assembly	D Lamps	E Socket Assembly	F Lamp Power Harness	G Scoring Harness	H Reflector Assembly	I Reflector Only	J Buzzer	K Transformer
1	A	400143	431043	400110*	431015	N/A	N/A	440051	440049	400052	800057	400111	431040
	B	*	431034	400110*	431015	N/A	N/A	440051	440039	420088	800018	400111	N/A
2	A	400119	431035	N/A	431015 (10 ea.)	400094	440020	440043	440041 (75 ft.)	400060	800018 (1RH & 1LH)	400111	400065
3		400015	431025	N/A	431027 (10 ea.)	400094	440020	440043	440041 (75 ft.)	400060	800018 (1RH & 1LH)	400111	400065
4		400074	Radaray P.C. Board Upgrade	N/A	N/A	N/A	N/A	N/A	N/A	N/A	N/A	N/A	N/A
5		400076	Radaray Infrared Head - Add On	N/A	N/A	431019	N/A	N/A	N/A	400060	800018 (1RH & 1LH)	N/A	N/A

In the Chart above you will find details of ZOT's replacement Spare Parts for Foul Detector and Triggering related products.
*Fuse = (6 each) package



Call ZOT for Pricing

Electronic Triggering (Spare Components)

Item	NEW Kit Number	Kit Description	P.C. Board	Fuse	Sensor Blue	Sensor Gray	Power Harness	Flat Gray Cable	Coaxial Cable	Transformer	Sensor Shims	Sensor Lens Kit
6A	400072	ET 2000 Two-Lane Electronic Triggering (115V)	432052	N/A	400001	400133	N/A	450005	N/A	290005	400121 (25 ea.)	400032
	B	*	432052	N/A	400001	400133	N/A	450005	N/A	290006	400121 (25 ea.)	400032
7A	400135	ET 2001 Two-Lane Electronic Triggering (115V)	432052	N/A	400001	400133	N/A	450005	N/A	290005	400121 (25 ea.)	400032
	B	400034	432052	N/A	400001	400133	N/A	450005	N/A	290006	400121 (25 ea.)	400032
8	*	Mini Magic - AMF	400009	400083 (6 ea)	400001	400005	440014	450001	450002	N/A	400121 (25 ea.)	400032

Note: Wizard & ET 2000/ET 2001 Spare Parts Kits

- A Plus: 400143 - Order: 400137
- B Double: 60200-0 / 60400-0 / 60600-0 - Order 400112
- C Low Voltage: 400119 - Order 400114

- D Surface: 400015 - Order 400113
- E ET 2000: 48050-0 - Order 400138
- F ET 2001: 400135 - Order 400138

P.C. Board Exchange

ZOT offers its customers a Factory Direct Exchange program for repairs to P.C. Boards after the Warranty has expired. If you have a P.C. Board that needs repairing simply call ZOT's Customer Service Department at 1-800-525-8116.

*Product Discontinued

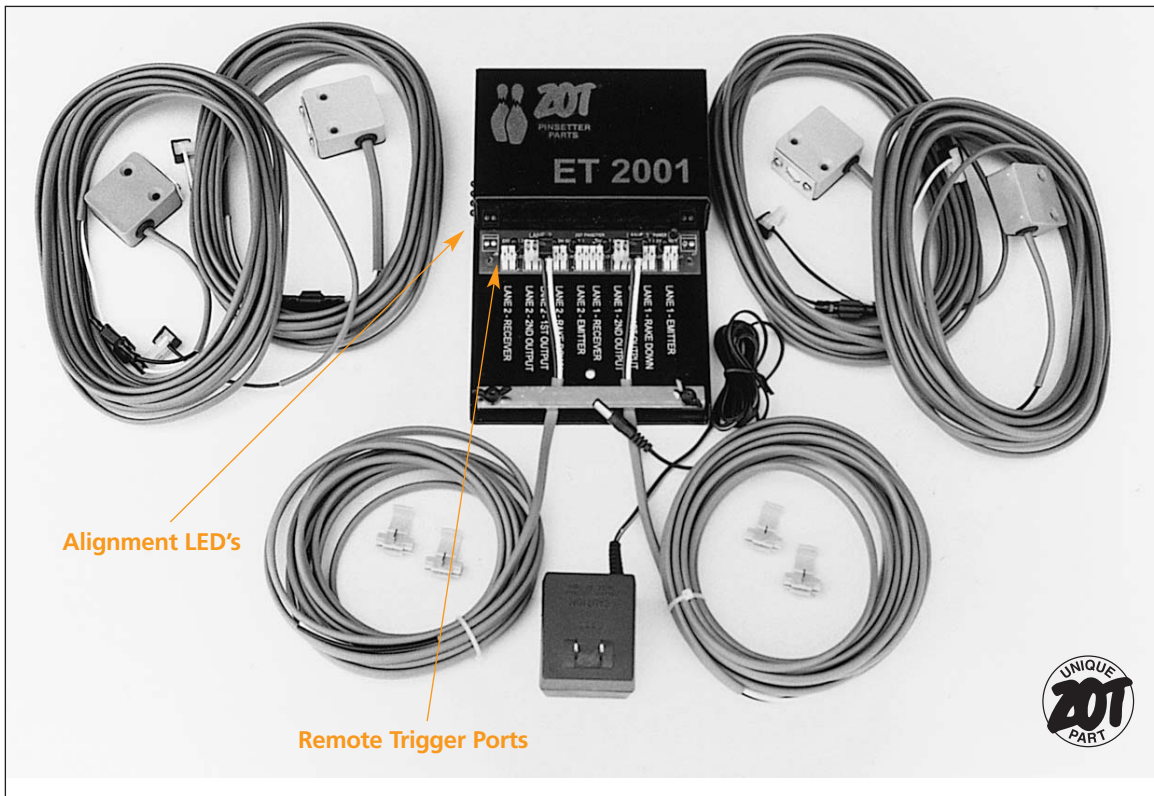


Call ZOT at 1-800-525-8116 for more details

Triggering Improvements that Promote Bowling

ET 2001 "Dual Lane" Ball Detector

#400135 (115V/60Hz).....\$307.50 #400034 (230V/50Hz).....\$315.00



Alignment LED's

Remote Trigger Ports



ZOT's ET 2001 "Dual Lane Electronic Triggering, for AMF Pinpointers features: an adjustable time-delay from 3/4 of a second to 8 seconds and the most advanced infrared technology available in the industry, to guarantee 100% positive triggering . . . ball after ball after ball . . . you know it makes sense.

It only takes a few seconds a game to save thousands of dollars a year in lost lineage, revenues, power consumption, and machine wear and tear – and to improve customer satisfaction levels.

At bowling centers everywhere, you see youngsters, seniors, and bowlers using light balls – especially in centers with bumper bowling – frustrated, and wasting time, either because they're slow to react in pressing the reset button, or because they don't know what to do, when the machine fails to cycle.

That same few seconds will pay for ZOT's ET 2001 "Dual Lane" Electronic Triggering system several times over in its first year, and, thereafter, the additional revenues, savings and improved customer relations, translate into clear, and measurable, increased profits.

Note:

The ET 2001 has two adjustable time delay outputs, each of which serve two lanes.

Features and Benefits

100% Positive Triggering: Regardless of the weight or speed of the ball.

Reduces Maintenance: Mechanical linkage does not affect trigger sensitivity.

World Class P.C. Design: ZOT's new Micro-Processor technology simplifies the circuit, making the ET 2001 (Electronic Triggering) Dual Lane Ball Detector surprisingly cost efficient.

Superior Sensor Design: The ET 2001 retains the same sensor design as ZOT's single lane Magic Eye. With more than a decade in the marketplace, this miniature and ruggedly constructed sensor system has a proven track record of minimizing damage by balls and pins; and it's not sensitive to vibration.

Infrared Technology: The ET 2001 features an Infrared Sensor source that's Solid State Diode Rated for millions of hours of dependable service.

Alignment Indicator: ZOT's ET 2001 features an exclusive 4-unit LED system, that indicates when the sensors signal is strongest. The LED's can be viewed from either the sensor area, or from the top of the pinspotter, without opening the cover.

Diagnostic Indicator Safety System: ZOT has added an LED system which indicates when an output signal is occurring. The ET 2001 has a built-in Safety System which prevents the machine from cycling if a person is in the area where the sensors are mounted.

Speeds Up League Play: No more pushing the reset button.

Profit on Machinery Improvement: Over 200% return on investment the first year.

(continued on next page)

Features and Benefits:
(continued)

Remote Trigger Ports: ZOT's ET 2001 can be triggered by external sources, e.g., scoring system remote switch.

Control Box Protection: ZOT's Dual Lane Control Box mounts on the back of the masking unit curtain wall; out of the way of potential damage by balls or pins.

Flip Top Cover: The Control Box Cover hinges from the top, which means no screwdriver is needed to view the P.C. Board. Simply flip the cover up for inspection, and down again when finished.

Simple Installation: ZOT's ET 2001 installs in three easy steps:

1. Wall transformer plugs into 115 Volt outlet for power supply.
2. Two conductor outputs for each pinspotter simply quick-splice to the bowlers reset button wires. The AMF trigger switch can either be retained...or dismantled.
3. The Infrared Emitter and Receiver are simply plugged in, leveled and secured at each lane.

All Modular Design: All components plug into the P.C. Board separately, making it possible and easy to change parts, and troubleshoot.

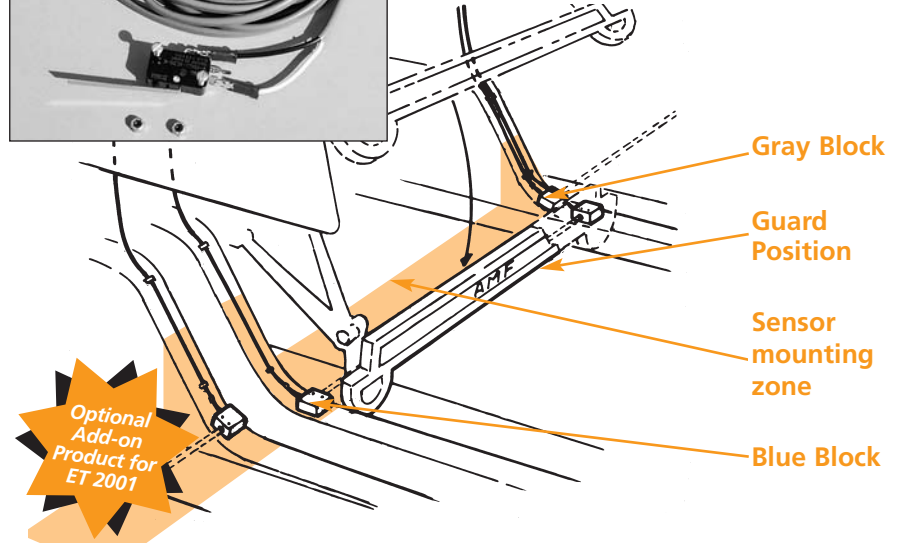
Rake/Sweep Path Sensor Mounting: The Sensors can be mounted behind the Sweep (in the Sweep path), with addition of option #400216. See upper right.



**Sweep Lock-Out
(Micro-Switch and harness)**

#400216\$19.95

ZOT's Sweep Lock-out resolves intermittent multiple cycling (e.g., Sweep Reversal), which can occur when the sensors are mounted in the sweep path sensor mounting zone.



ET 2001 Add-on Scoring Option

For Centers with AMF Pinspotters and Brunswick Scoring

If you're dissatisfied with your present AS80 and AS90 Series Ball Detect System, the ZOT ET 2001's ability to double as an improvement to your automatic scoring system makes it the most cost effective ball detect system available.

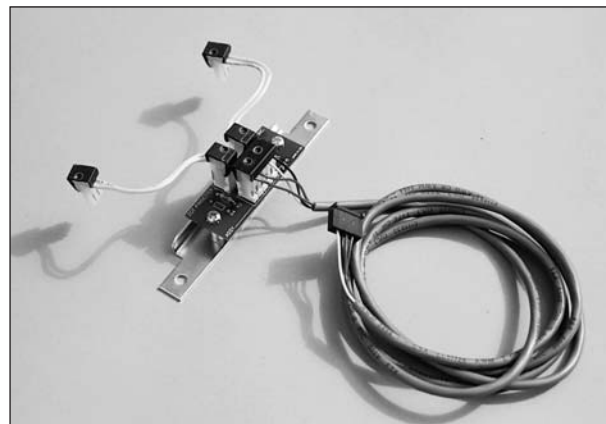
The following are the wire harness options necessary to activate the automatic scoring ball detect feature:

- #400159** for Brunswick AS 79 Scanner.....\$59.90
- #440080** for Brunswick AS 86 Scanner.....\$48.90
- #400194** for Brunswick AS 90 Camera & FrameWorx\$59.50



ET 2000 & ET 2001 Spare Parts 115V & 230V:

Description	Part Number
Spare Parts Kit	#400138
PC Board	#432052
Blue Emitter Block	#400001
Flat Gray Emitter Block	#450005
Gray Receiver Block	#400133
Transformer for 115V	#290005
Transformer for 220V	#290006
Sensor Shims	#400121
Sensor Lens Kit	#400032



ZOT Unit Replaces 79 Scanner Ball Detect



ZOT Unit Replaces two Brunswick #57-214904-000

Note:
The above wire harness options are only compatible to ZOT ET 2001.

Call ZOT for pricing



Call ZOT at 1-800-525-8116 for more details